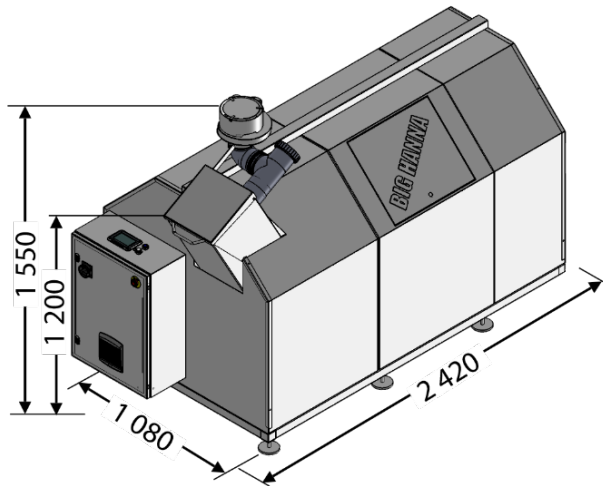
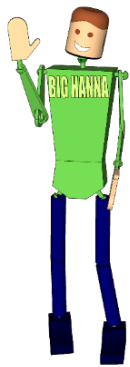


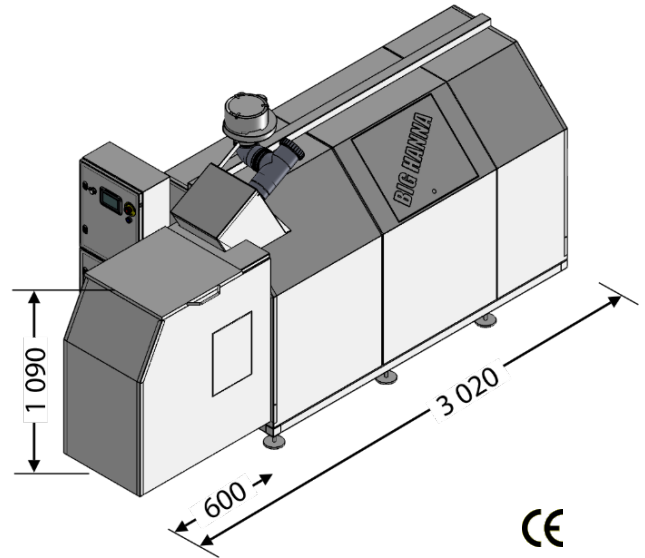


BIGHANNA[™] composter

MODEL T60



T60 STANDARD



T60_40L (40L INLET)

T60_40LS (40L INLET AND SHREDDER)

Capacity*)

Food waste/day (kg)	20-35
Food waste/week (kg)	150-250
Food waste/annum (ton)	8-13
Number of households	55-70

GHG Emissions (MTCO₂EQ) avoided calculated on www.epa.org using WARM

GHG Emissions landfilled	20
GHG Emissions composted on-site	-3
GHG Emissions savings	-22

Capacity when using mechanical dewaterer *)

Food waste/day (kg)	35-60
Food waste/week (kg)	240-400
Food waste/annum (ton)	12-21

Measurements

Volume cylinder (m ³)	1,07
Weight empty (kg)	440
Weight empty incl shredder/inlet (kg)	490
Max weight full incl shredder/inlet (kg)	1100
Number of feet on machine	6
Connection to ventilation (mm)	Ø110
Connection for drainage - infeed hopper (mm)	Ø 75/ Ø110
Height inlet (mm)	ca 1 200
Infeed opening (mm)	285 x 295
Infeed opening - 40L inlet (mm)	500x470
Volume hopper fed inlet (l)	40
Height under outlet (mm)	590
Height - option shredder (mm)	1 700

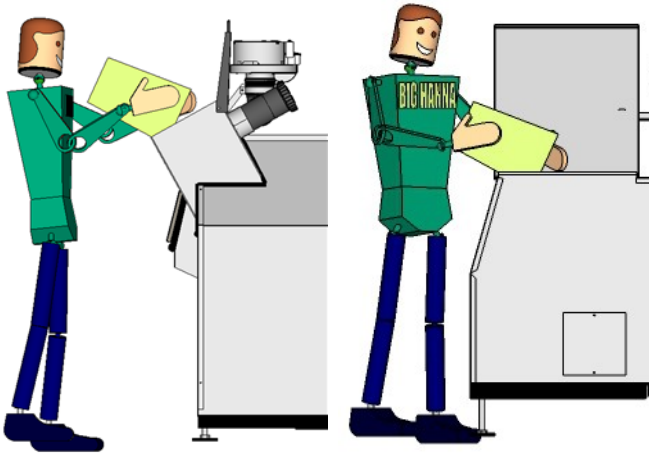
Equipment

Temperature sensors	3
Inspection door(s) on hood	1
Access door(s) into cylinder	1
Touch screen panel	✓
Optional equipment for composter	
Mobile or wireless router	✓
Log in via computer, phone or tablet and email alarms	✓
SMS alarms	✓
Energy meter	✓
Scales	✓
Rfid reader	✓
Moisture sensor in mass (VWC)	✓
Humidity (rH) and Temperature sensor in air	✓
CO ₂ sensor in air	✓
Hopper fed 40L inlet (auger feeder)	✓
Customized hopper	-
Shredder	✓
Bin tipper / bin lift	✓
Sliding hatch	-
Dewatering unit (screw press)	-
Mechanical macerator & dewaterer (stand-alone)	✓
Automatic pellets feeder	-
Biofilter	✓
Maturation box	✓

© Susteco AB reserves the right to modify, at any time and without notice, any or all of its products' features, designs, components and specifications.



BIGHANNA[™] composter

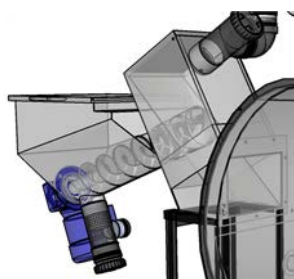


STANDARD INLET

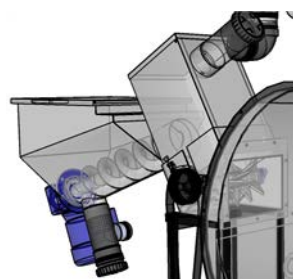
40L INLET

For larger volumes of food waste, a 40 litre inlet may facilitate handling of the food waste and feeding of the Big Hanna Composter. The standard inlet is appr. 1 200 mm high and the 40 litre inlet is appr. 1 090 mm. Maximum size of non-soft food waste is Ø 12 cm. The 40 litre inlet increases the length of a standard machine (with or without shredder unit) with 600 mm.

Restaurants often prefer this option. A shredder can be fitted together with the 40 litre inlet.



40L INLET WITHOUT SHREDDER



40L INLET WITH SHREDDER

A shredder can be installed in between the infeed auger and the cylinder on models T60 and T120 only. The shredder cuts the material and increases the capacity of the Big Hanna Composter. The shredder is made of durable high-grade steel.

Electrical supply**)

Power supply	400 V, 3-phase, 50 Hz, 10 A
Ampere incl 40L inlet	10 A
Ampere incl 40L inlet & shredder	16 A
Energy consumption ***)	
Total kWh/day standard model	1,11
Total kWh/day, incl 40L and shredder	1,50

*) The capacity varies depending on content / mix of food waste, moisture content, absorbent material, biological process and how the machine is fed and programmed. The macerator / dewatering equipment reduces the volume and weight of the food waste and increases the capacity, i.e. more food waste can be recycled. See separate information.

***) Standard models. Other electrical supply can be specified at order (for example 1-phase).

***) The electrical power consumption is calculated for indoor installations. The heater is only used in cold temperatures and only when the temperature between the hood and the cylinder is lower than 5-10° C. This is not included in the electrical power consumption.

