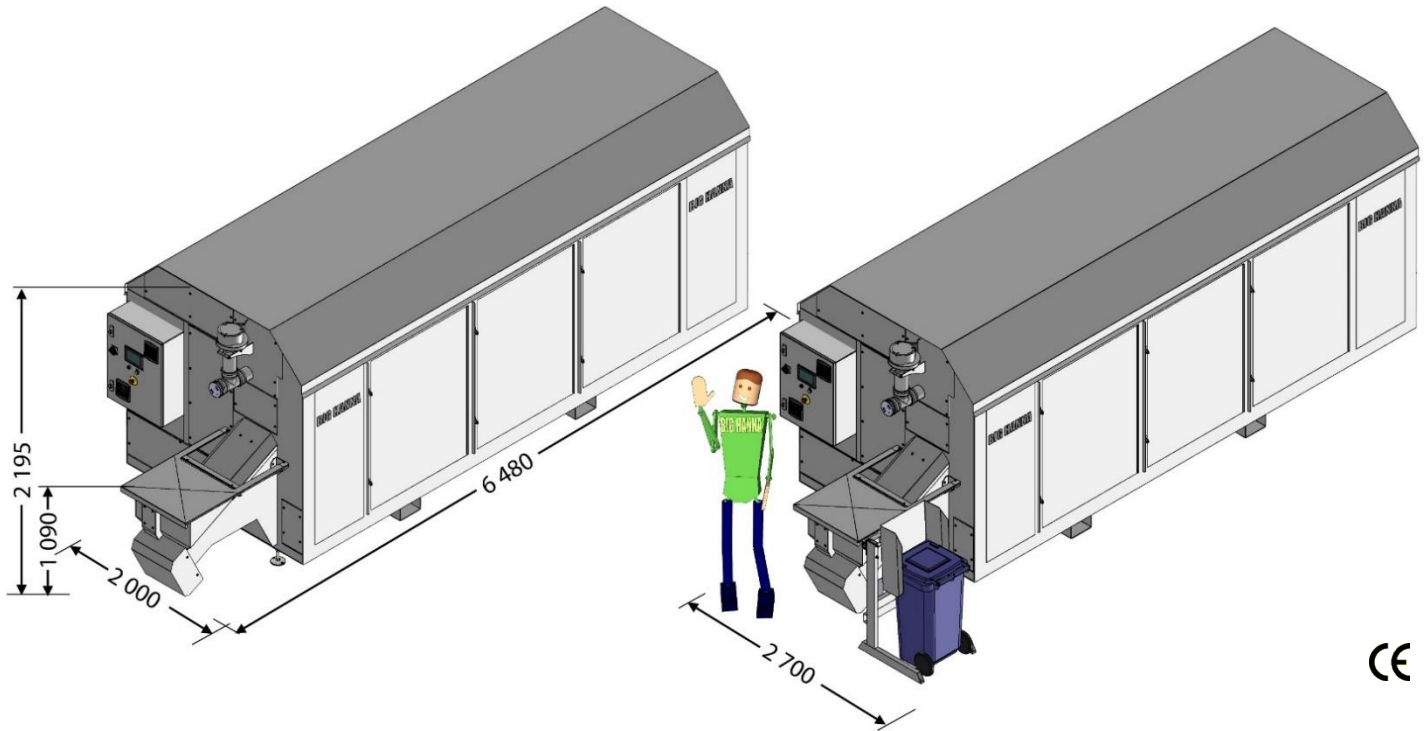




BIGHANNA™ composter

MODEL T480



Capacity*)

Food waste/day (kg)	115-240
Food waste/week (kg)	800-2400
Food waste/annum (ton)	41-124
Number of households	275-650
GHG Emissions (MTCO ₂ EQ) avoided calculated on www.epa.org using WARM	
GHG Emissions landfilled	191
GHG Emissions composted	-25
GHG Emissions savings	-216
Capacity when using mechanical dewaterer**)	
Food waste/day (kg)	185-540
Food waste/week (kg)	1300-1800
Food waste/annum (ton)	68-198

Electrical supply**)

Power supply	400 V, 3-phase, 50 Hz, 16 A
Energy consumption ***)	
Total kWh/day standard model	1,95

*) The capacity varies depending on content / mix of food waste, moisture content, absorbent material, biological process and how the machine is fed and programmed. The macerator / dewatering equipment reduces the volume and weight of the food waste and increases the capacity, i.e. more food waste can be recycled. See separate information.

**) Standard models. Other electrical supply can be specified at order (for example 1-phase).

***) The electrical power consumption is calculated for indoor installations. The heater is only used in cold temperatures and only when the temperature between the hood and the cylinder is lower than 5-10° C. This is not included in the electrical power consumption.

Equipment

Temperature sensors	3
Inspection door(s) on hood	2
Access door(s) in to cylinder	2
Touch screen panel	✓
Optional equipment for composter	
Mobile or wireless router	✓
Log in via computer, phone or tablet and email alarms	✓
SMS alarms	✓
Energy meter	✓
Shredder	-
Bin tipper	✓
Sliding hatch	✓
Measurements	
Volume cylinder (m ³)	8
Weight empty (kg)	4 500
Max weight full (kg)	10 100
Number of feet on machine	10
Connection to ventilation (mm)	Ø110
Connection for drainage - infeed hopper (mm)	Ø 75/Ø110
Height inlet (mm)	ca 1 000
Infeed opening (mm)	490 x 590
Volume hopper fed inlet (l)	80
Height under outlet (mm)	970

© Susteco AB reserves the right to modify, at any time and without notice, any or all of its products' features, designs, components and specifications.



BIGHANNA™ composter

